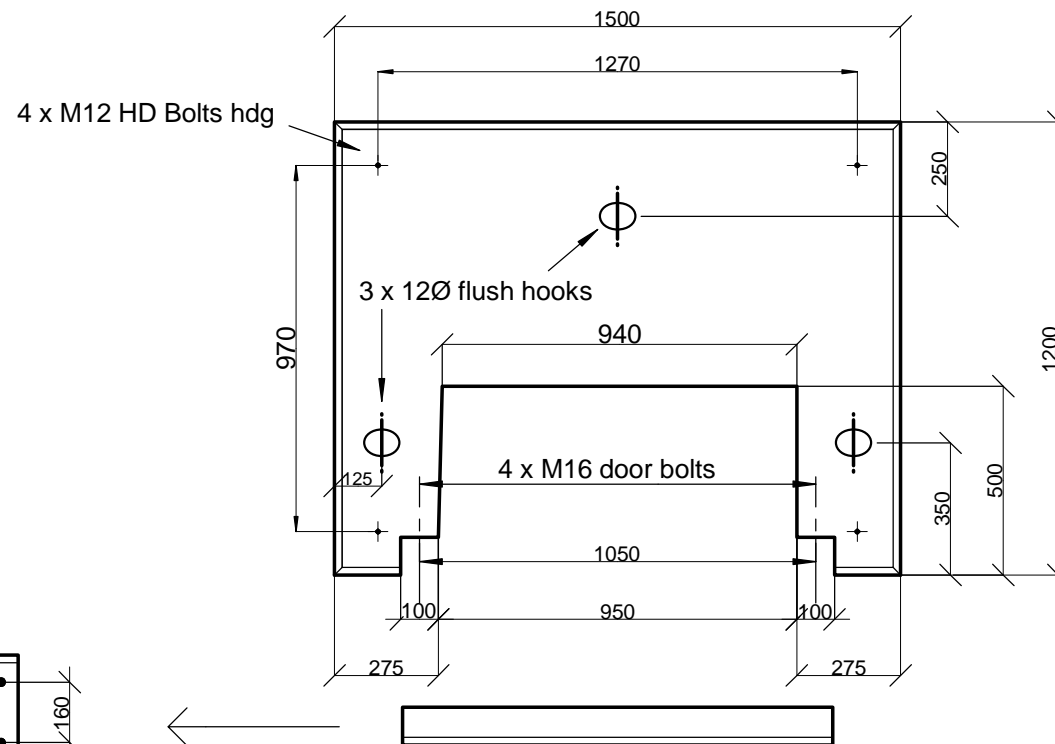
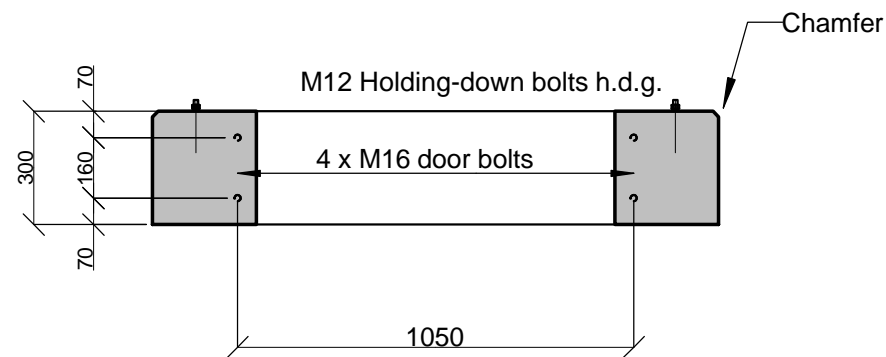


REMOVABLE DOOR



TOP VIEW



SECTION

SPECIFICATION

Concrete 30MPa reinforced  
Removable MV entry door  
4 x M12 holding-down bolts  
3 x 12mmØ flush lifting hooks

INLAND PLINTH FOR 3-WAY RMU  
1500 x 1200 x 300

P4-8102/2

Vanstone Precast (Pty) Ltd  
www.vanstone.co.za  
Tel 012 541 2056

