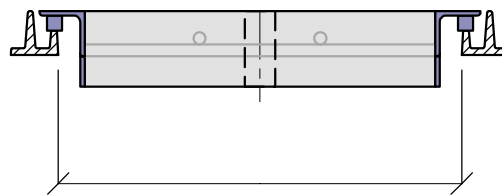


Ø20 lifting hole

Galvanized steel edging 30mm wide

PLAN VIEW

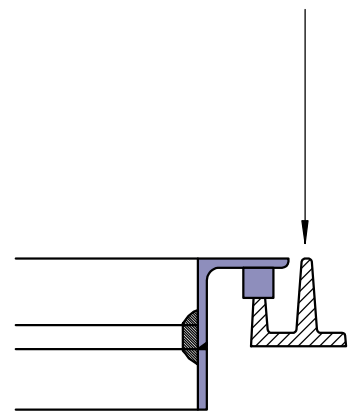
Vanstone Type 14A Replacement Cover



±267sq opening

SECTION

Existing cast iron frame



DETAIL

**SPECIFICATION**

SANS 558 Duty Class "L" 7kN  
 Concrete: 35MPa at 28 days.  
 All steel including reinforcing  
 is hot dipped galvanized  
 after welding.

Quantity to Cast:	5
Concrete Mix	57
Mass kg ±	10
Reinforcing: To be checked by Eng	yes

**REPLACEMENT MANHOLE COVER  
 TYPE 14A OPENING SIZE 267 x 267**

Product Code: P2-1590/14A

