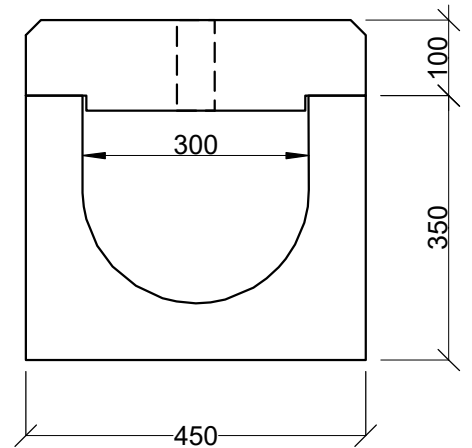
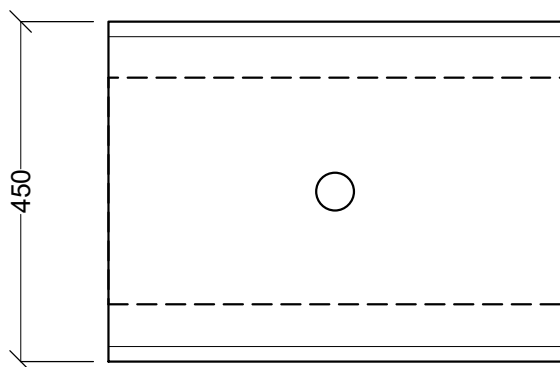


SIDE VIEW



CROSS SECTION



Ø50 lifting hole

TOP VIEW

Specification:

Concrete 30MPa.
Steel reinforced.
Design Load: 100kN

INSPECTION CHANNEL AND LID FOR 300ID SLOTTED DRAIN
450x450x600 long

P2-0656/3

